

MODEL	COMMANDER	DEST	CHASSIS NO.	MODEL	COMMANDER	DEST	CHASSIS NO.
KV-29FQ85E	RM-943	ESP	SCC-Q81T-A	KV-29FQ85K	RM-943	OIRT	SCC-Q82L-A

SUPPLEMENT - 1

SUBJECT : INTRODUCTION OF NEW (IFOB) A BOARD AND NEW FRC3 DEVICE

This supplement shows electrical changes to B, G, H1, VM Boards and additional parts to A, D, D2, C, F1 and J boards, Tuner change also amendments to section 6.

SECTION 5. DIAGRAMS

5-3	A Board Schematic	(Page 30).....	See page 2
	A Board PWB	(Page 33).....	See page 6
	D2 Board Schematic	(Page 39).....	See page 9
	D2 Board PWB	(Page 38).....	See page 12
	F1 Board Schematic	(Page 40).....	See page 8
	F1 Board PWB	(Page 41).....	See page 12
	C Board Schematic	(Page 43).....	See page 8
	C Board PWB	(Page 44).....	See page 12
	J Board Schematic	(Page 45).....	See page 11
	J Board PWB	(Page 44).....	See page 13
	D Board Schematic	(Page 47).....	See page 10
	D Board PWB	(Page 46).....	See page 13

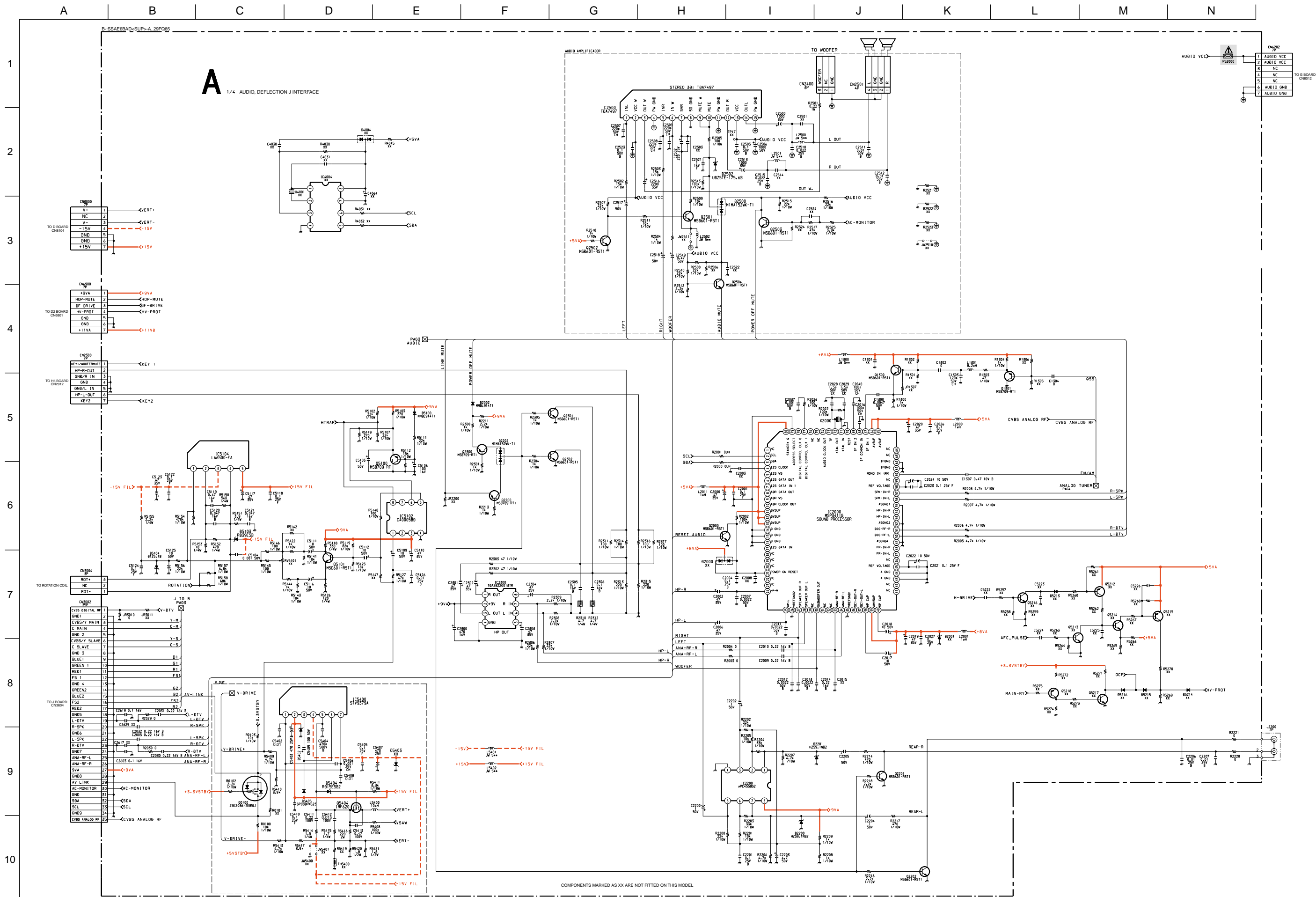
SECTION 6. EXPLODED VIEWS

6-1	Chassis	(Page 52).....	See page 14
6-2	Picture Tube	(Page 53).....	See page 15

SECTION 7. ELECTRICAL PARTS LIST (Page 54)..... See page 16

MISCELLANEOUS (Page 80)..... See page 25

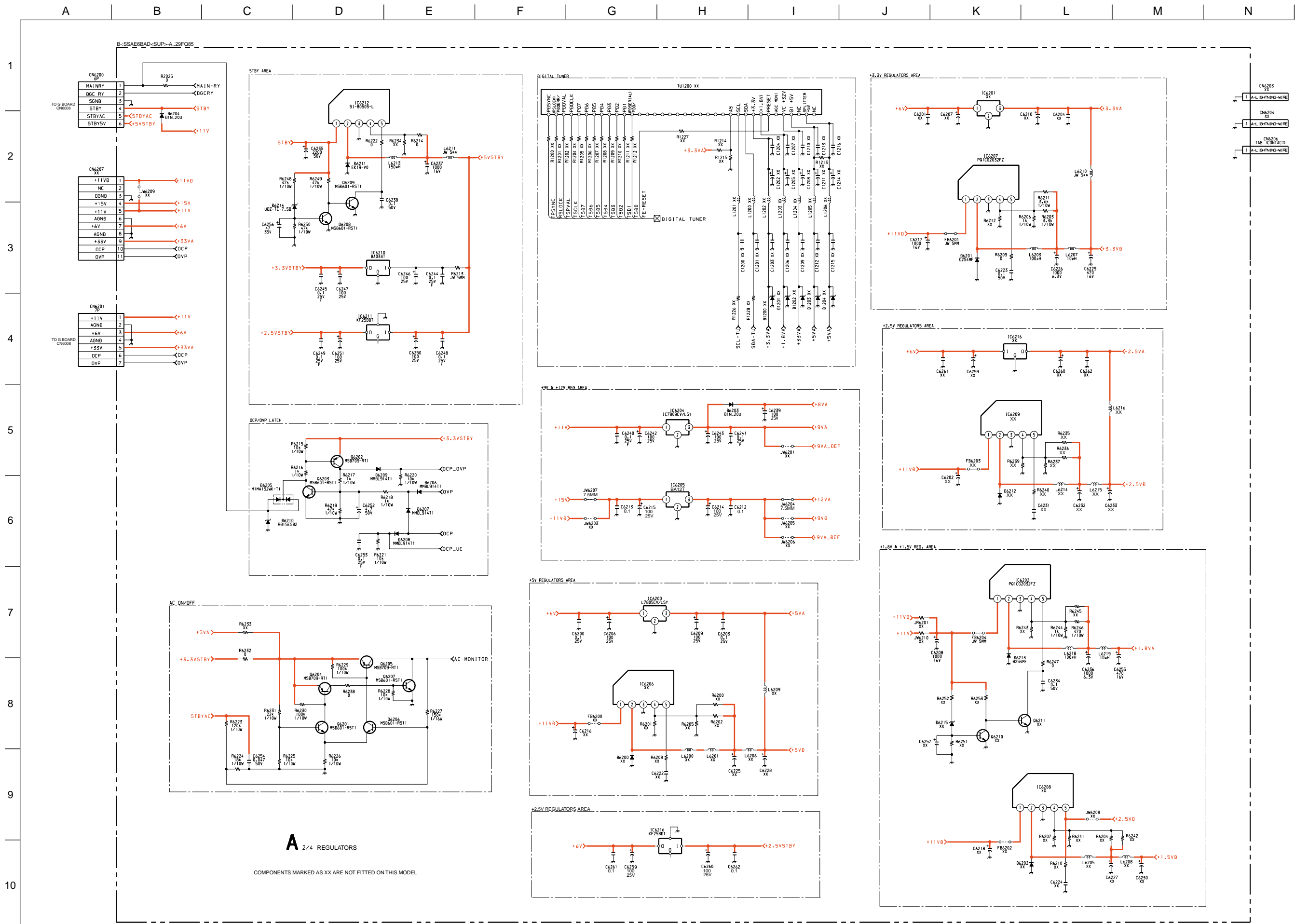
ACCESSORIES AND PACKING MATERIALS (Page 80)..... See page 25



A
1/4 AUDIO, DEFLECTION J INTERFACE

CN602	
1	AUDIO VCC
2	AUDIO VCC
3	NC
4	NC
5	NC
6	AUDIO GND
7	AUDIO GND

COMPONENTS MARKED AS XX ARE NOT FITTED ON THIS MODEL



A 2/4 REGULATORS
COMPONENTS MARKED AS XX ARE NOT FITTED ON THIS MODEL

1

2

3

4

5

6

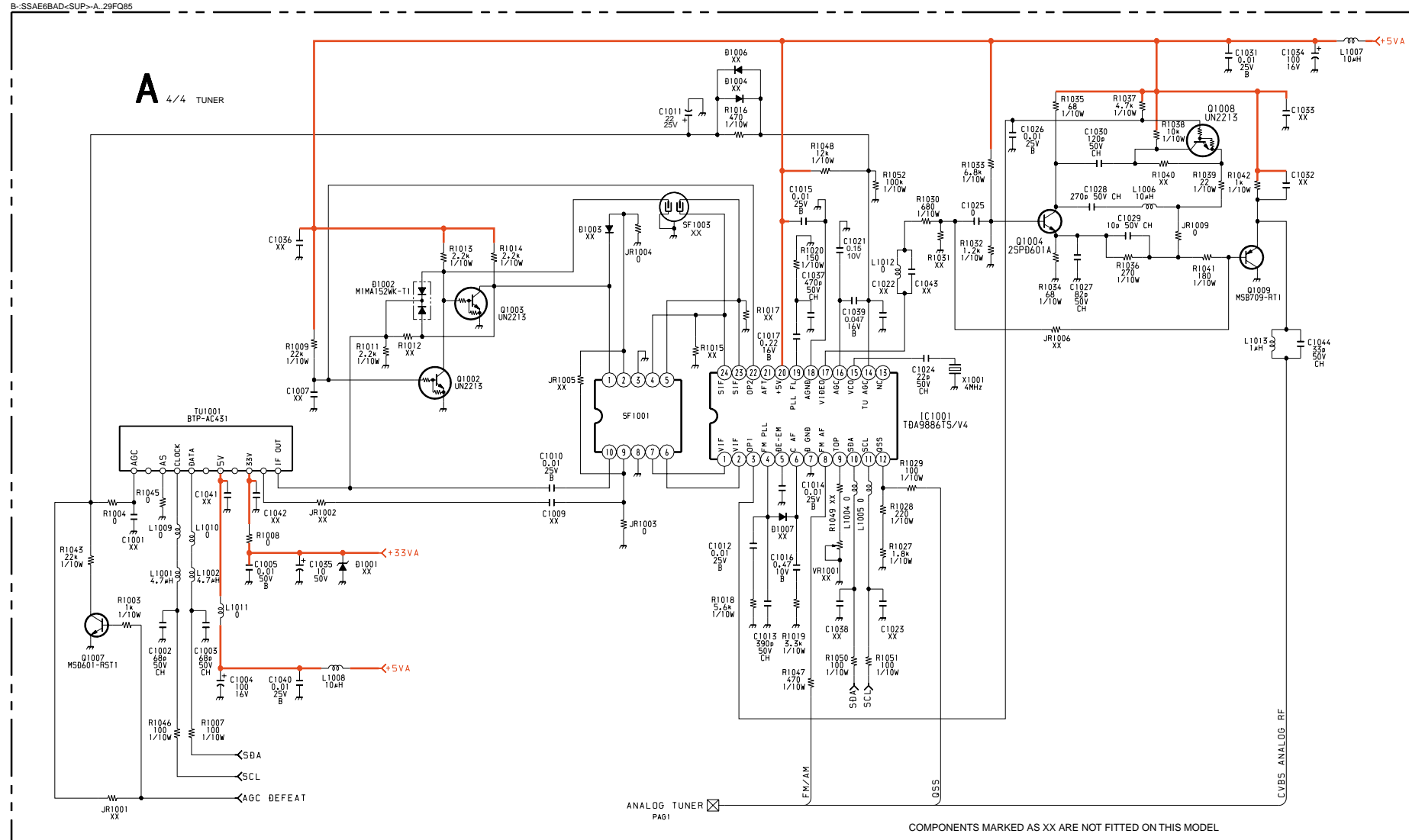
7

8

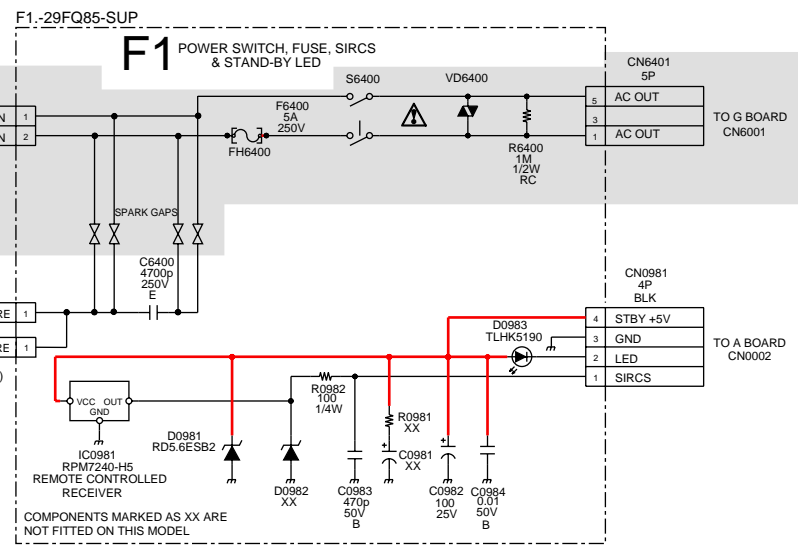
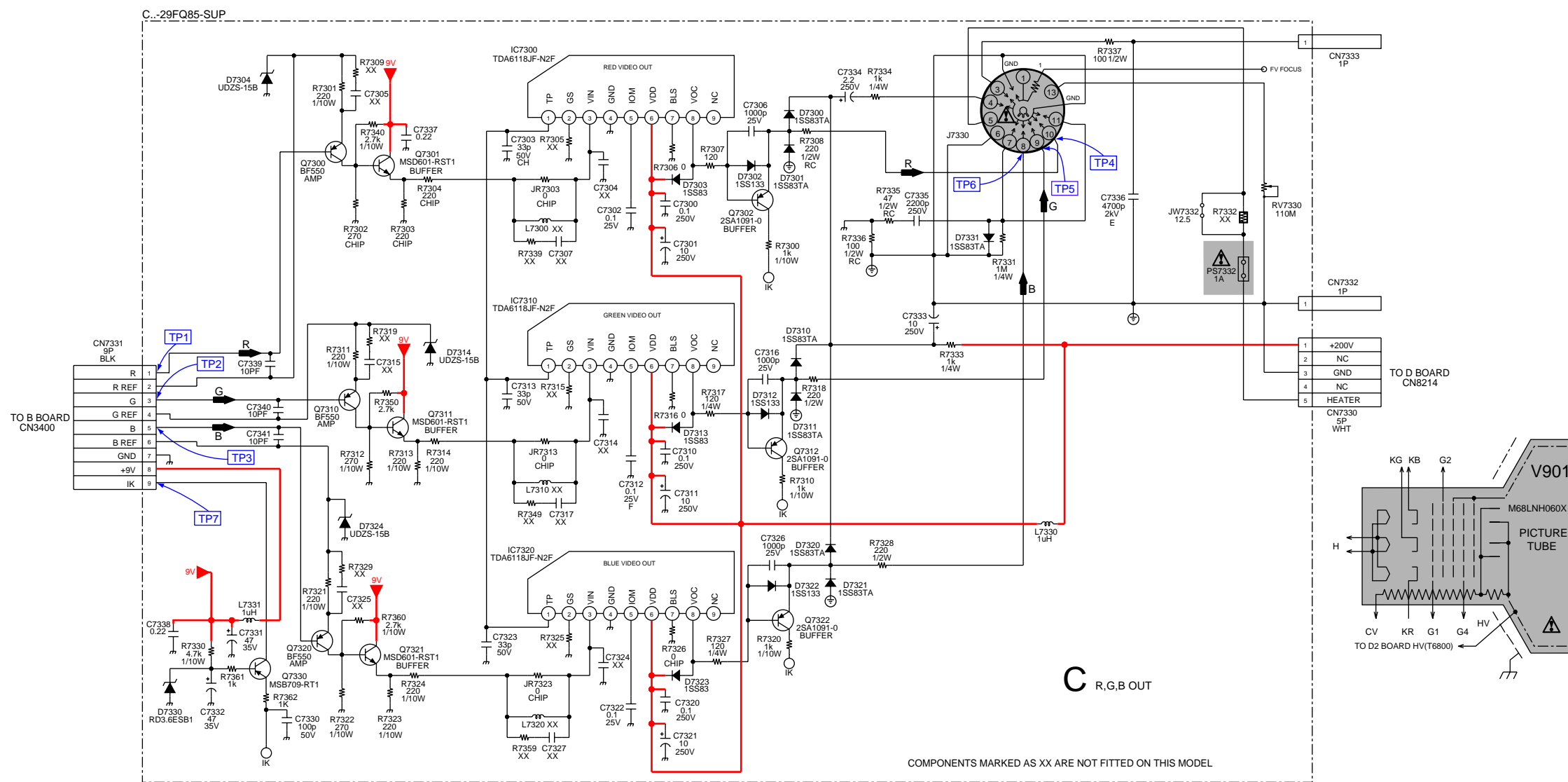
9

10

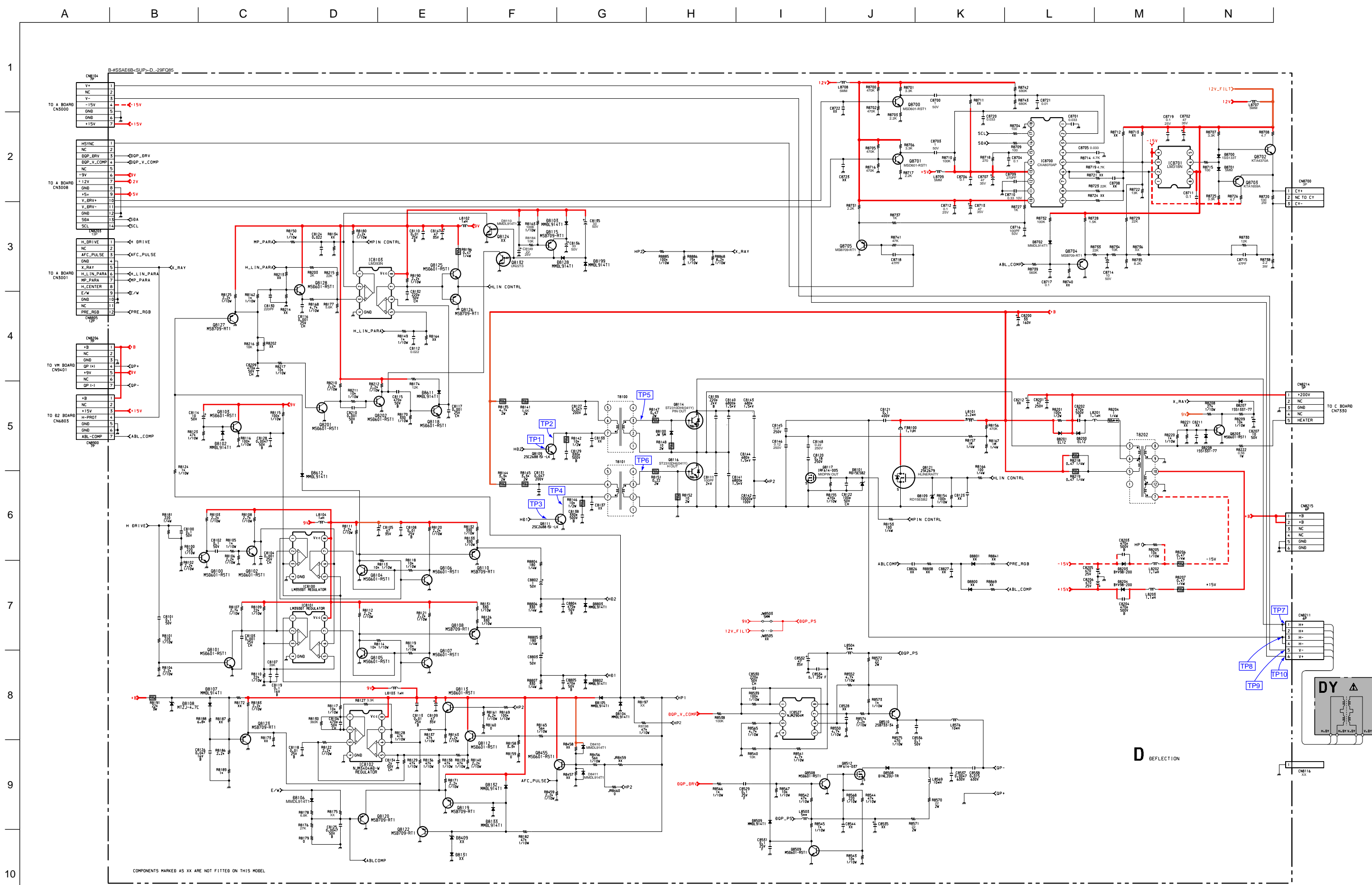
11



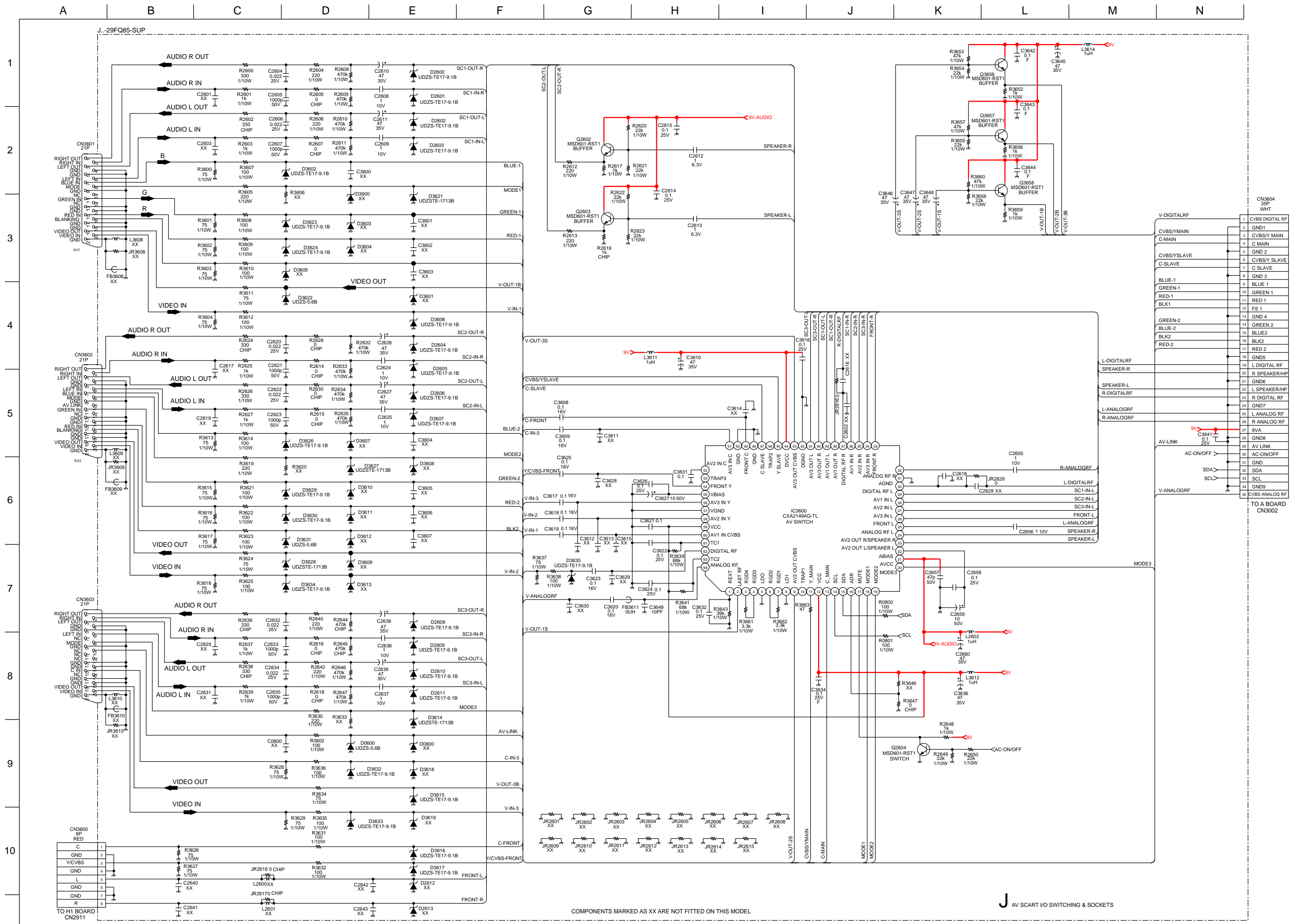
~ C Board Schematic Diagram [R,G,B Out] ~



~ F1 Board Schematic Diagram [Power Switch, Fuse, Sircs & Stand-by Led] ~



~ D Board Schematic Diagram [Deflection] ~



COMPONENTS MARKED AS XX ARE NOT FITTED ON THIS MODEL

J AV SCART I/O SWITCHING & SOCKETS

~ J Board Schematic Diagram [AV Scart I/O Switching & Sockets] ~