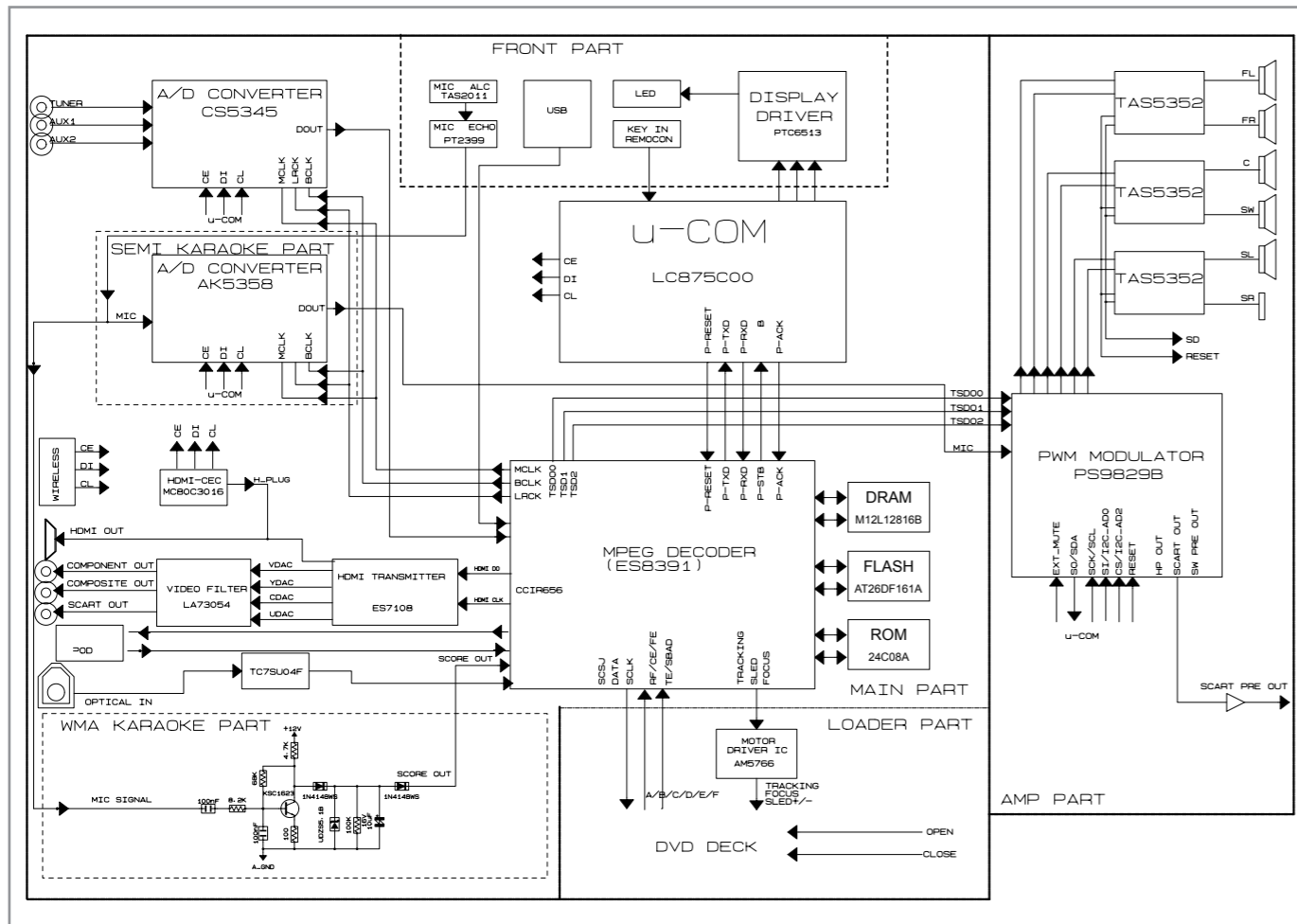

7. Schematic Diagram

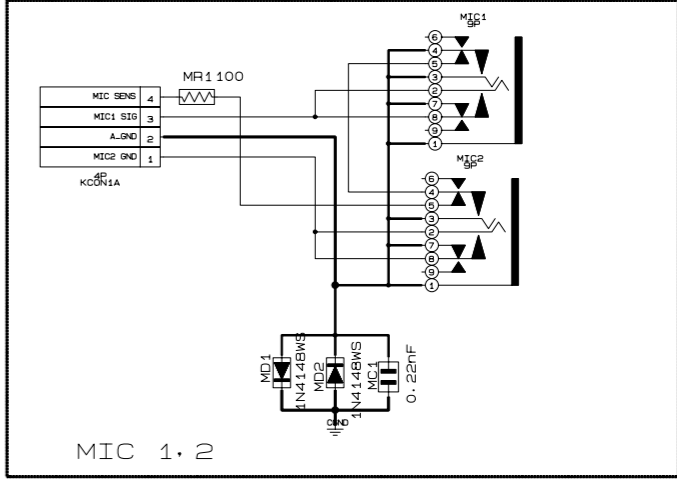
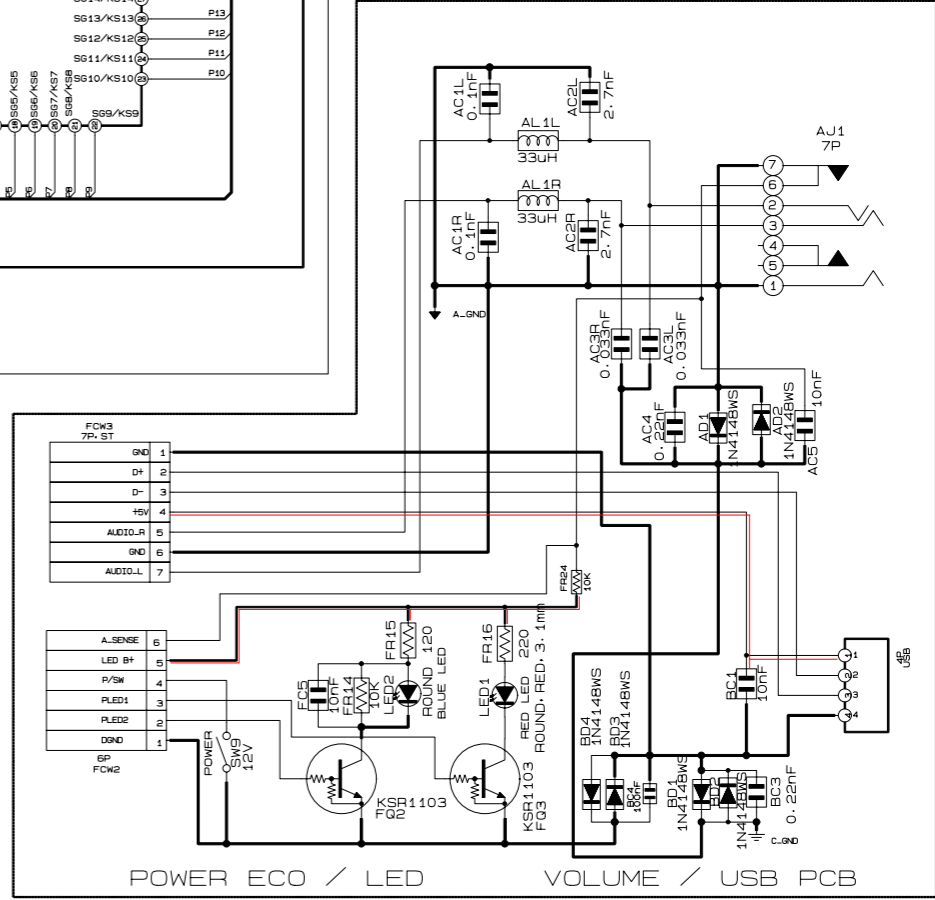
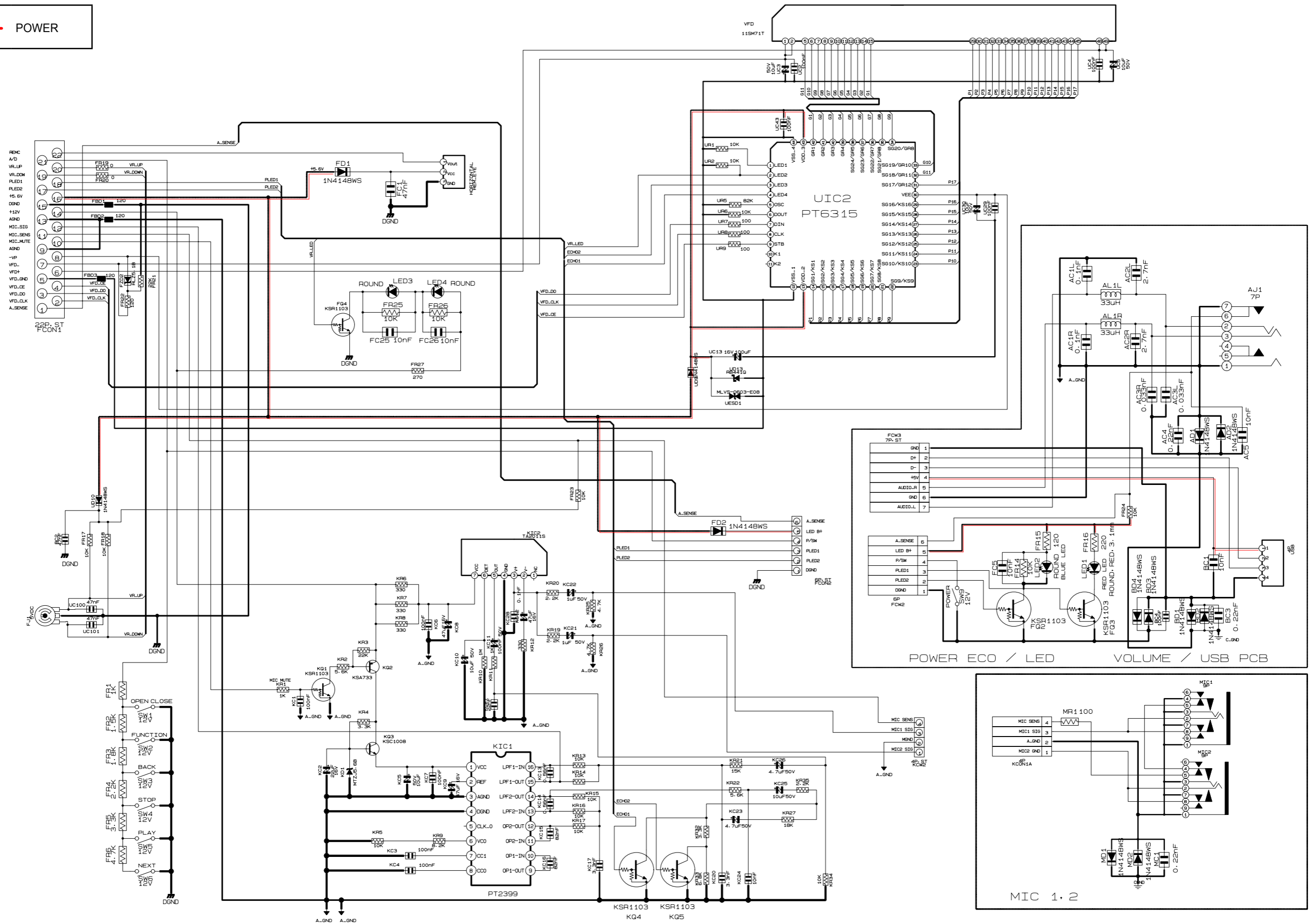
7-1 Overall Block Diagram.....	7-2
7-2 FRONT.....	7-3
7-3 BLUETOOTH.....	7-4
7-4 AMP	7-5
7-5 MAIN	7-6
7-6 MICOM.....	7-7
7-7 ANALOG	7-8
7-8 HDMI.....	7-9
7-9 SMPS.....	7-10

7-1 Overall Block Diagram

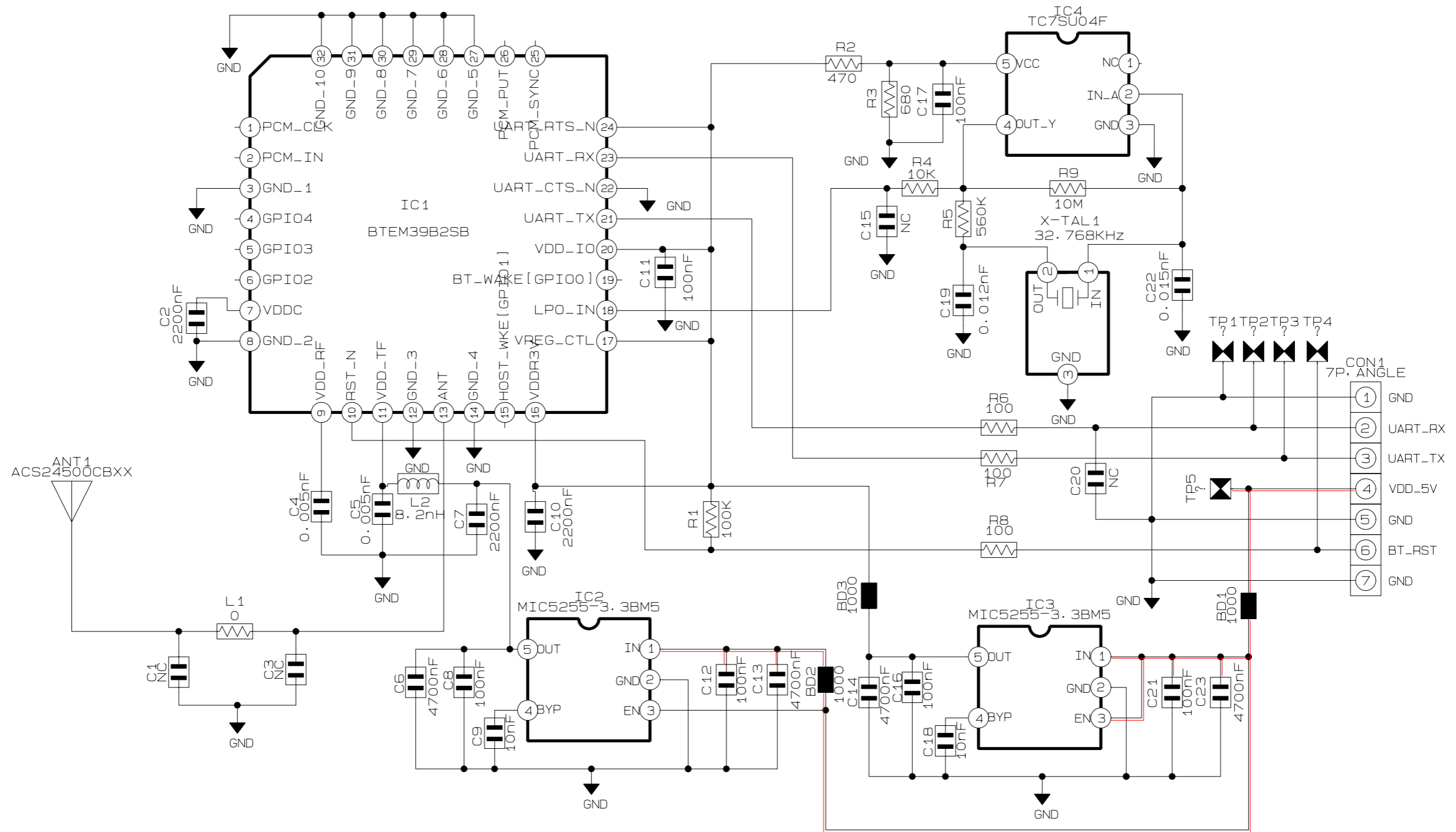


- The main system uses the MPEG (ES8391). The HDMI Tx IC is ES7108S. The main system consists of major circuit blocks such as HDMI, POWER, CEC, FRONT, KARAOKE, etc. The Main system includes the functional blocks such as FM-TUNER, AUX INPUT, ADC, Sub_Micom, etc.
- The information about the main system operation is displayed on the VFD of Front Board.
- Audio signal is transmitted through Analog 2V between the main body and the speaker, and is input to the AMP through ADC (CS5345). First, MPEG (ES8391) receives RF signal from the PICK_UP and decodes Video and audio signal.
- HDMI IC is implemented by the I2C. The Micom and MPEG control each other through RXD and TXD communication.
- The Power supplies voltages for each component using the SMPS. The Power can be switched turned on or off through the Micom port. The functions and DPL2 function can be controlled by the front keypad and remote control.

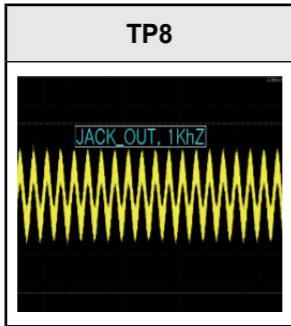
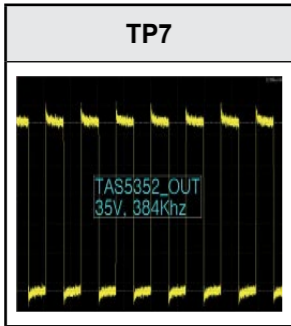
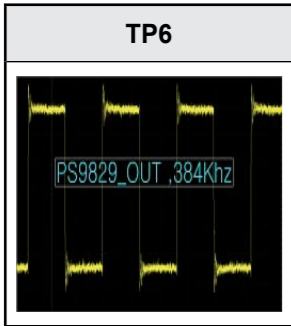
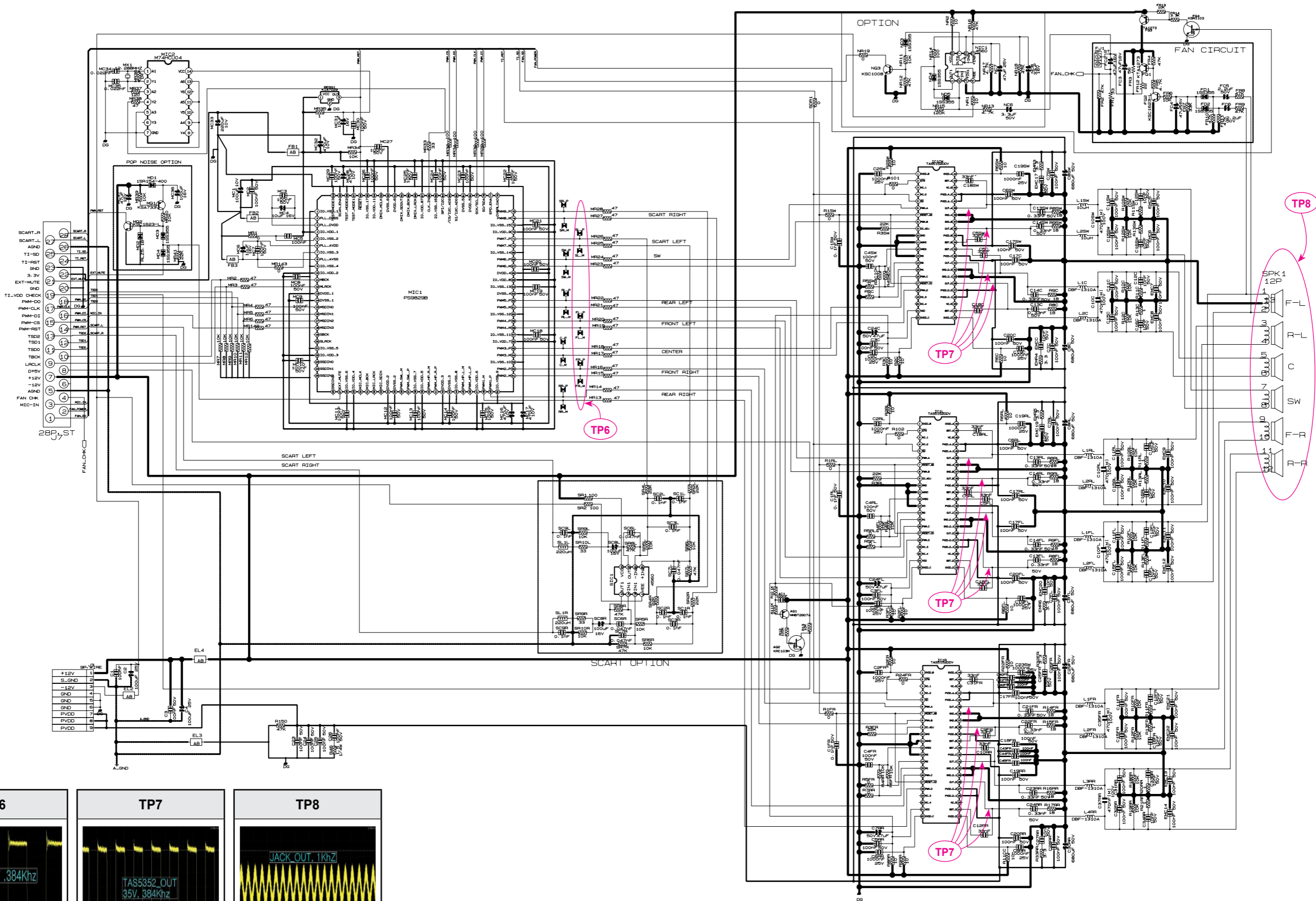
7-2 FRONT



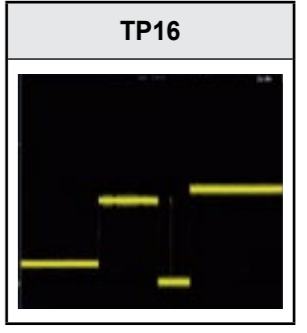
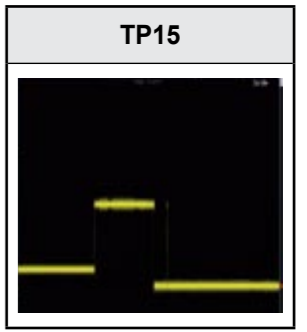
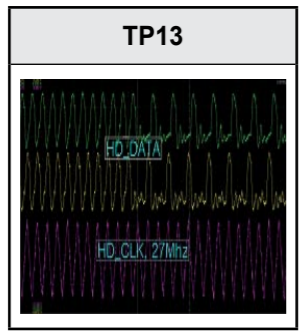
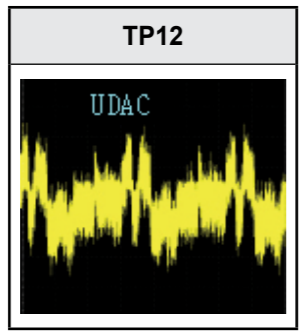
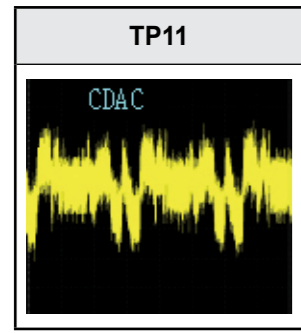
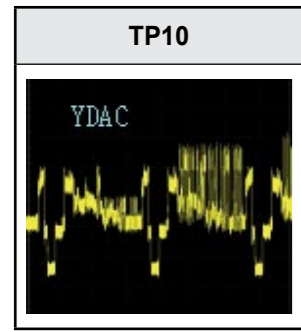
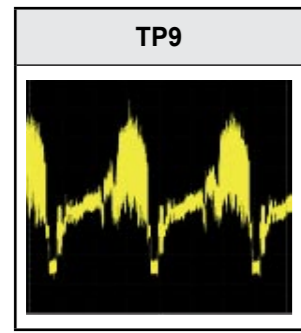
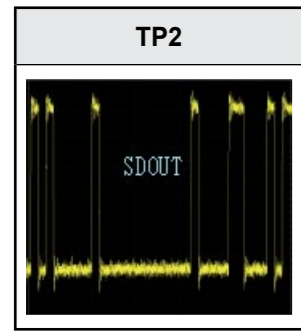
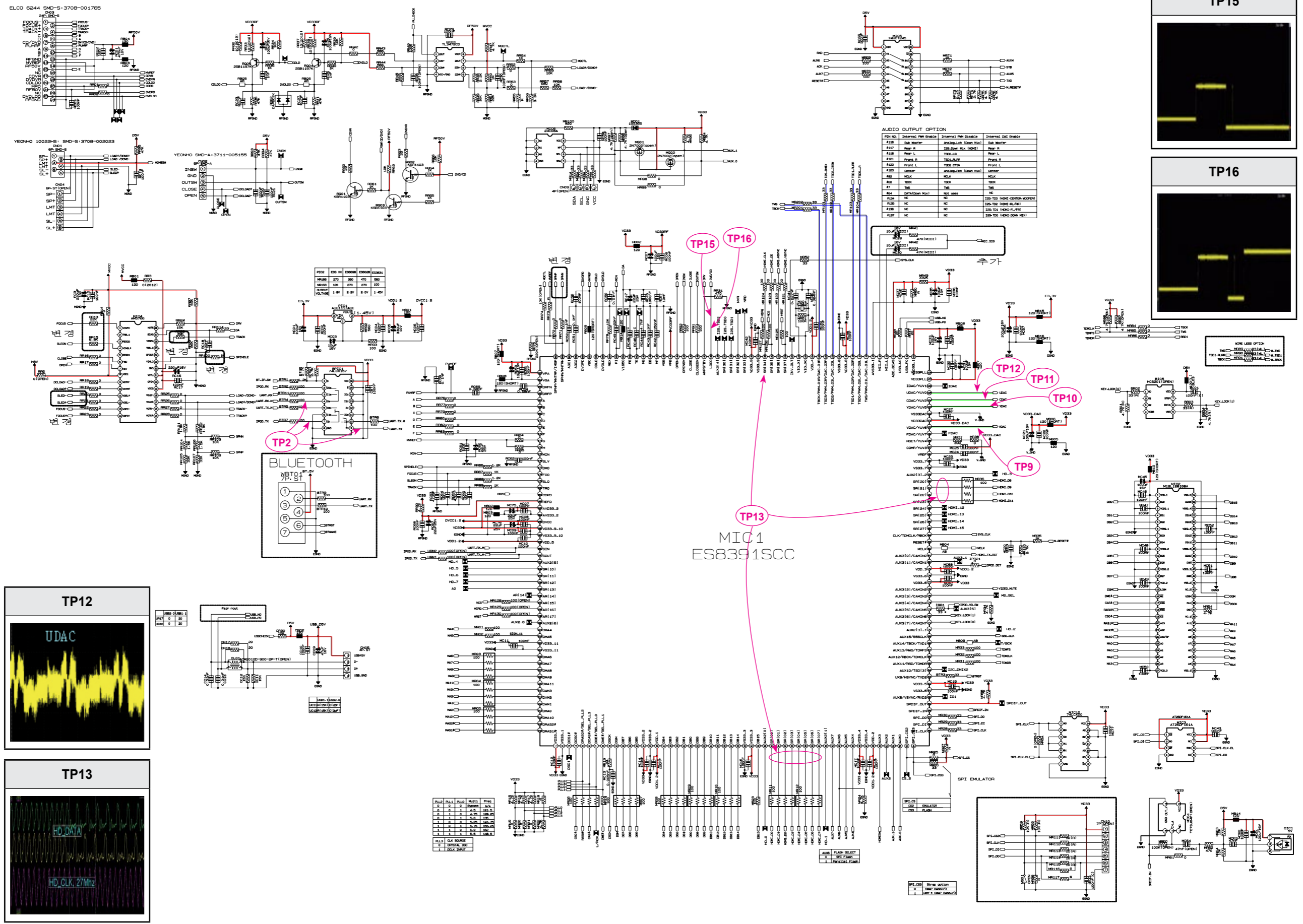
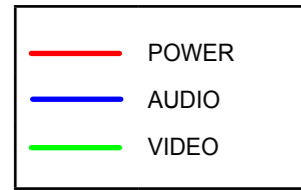
7-3 BLUETOOTH



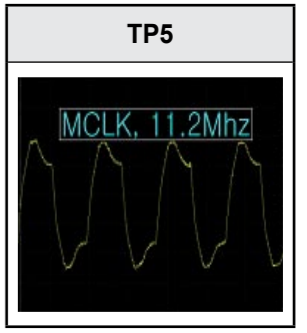
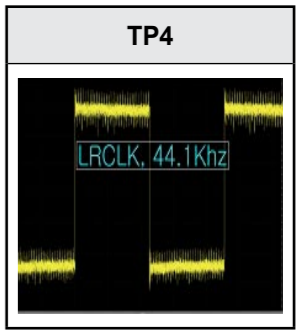
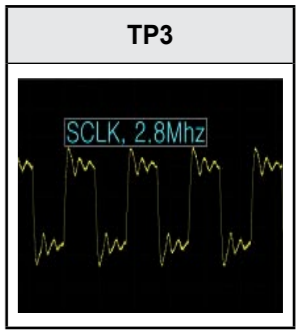
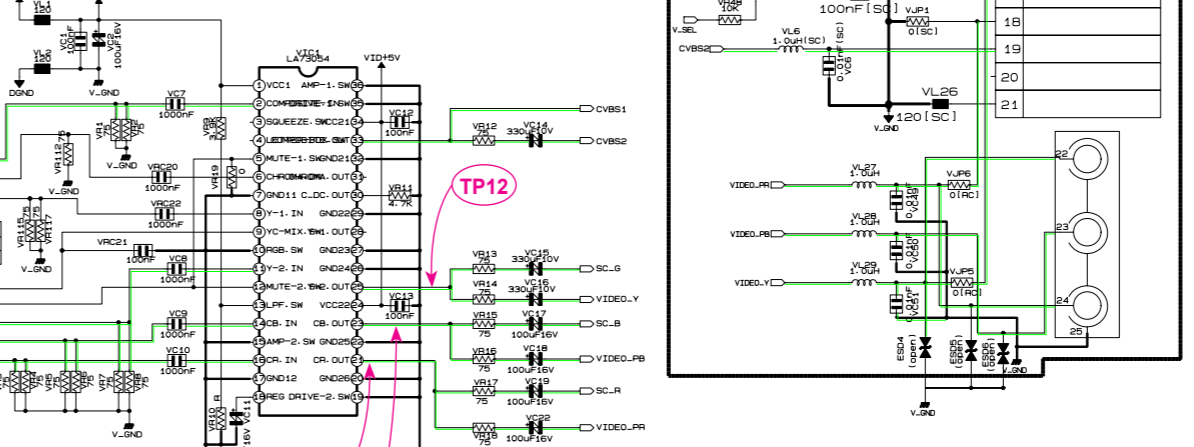
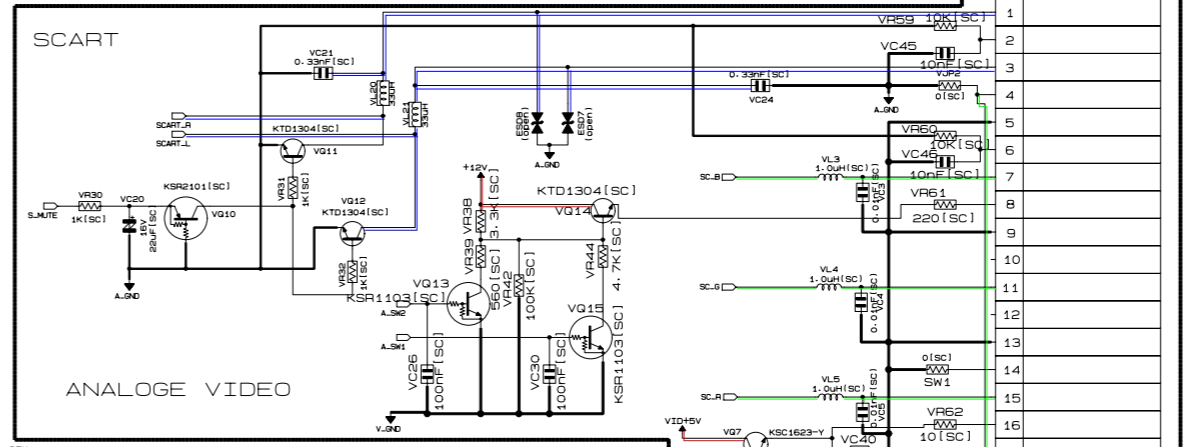
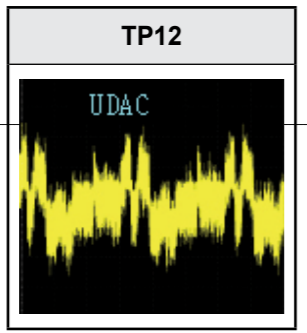
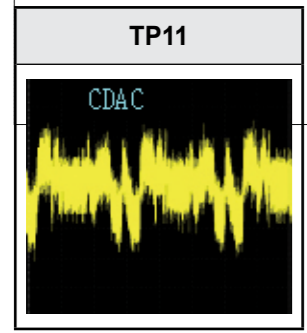
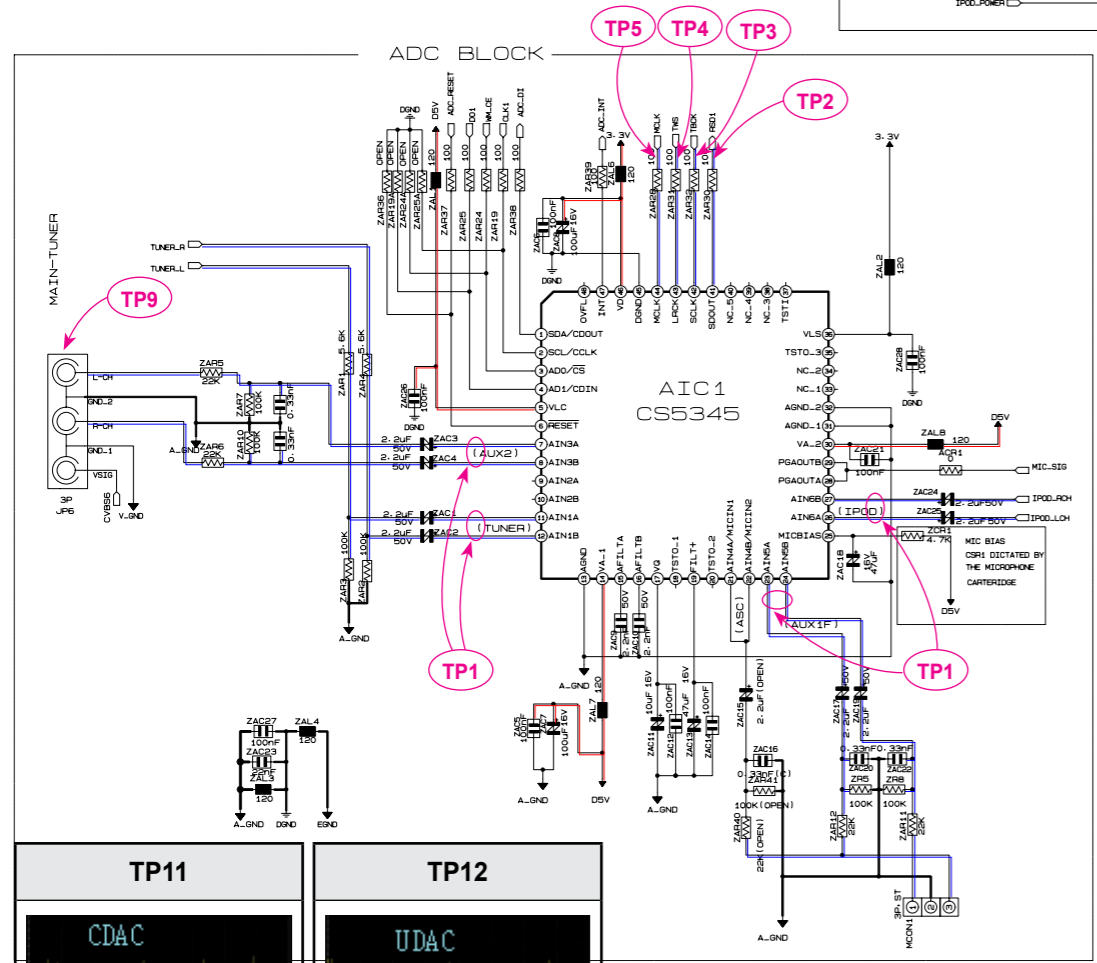
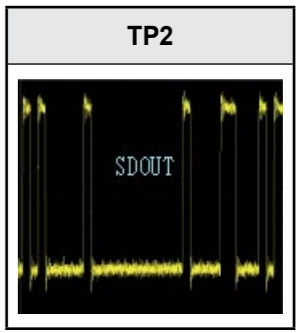
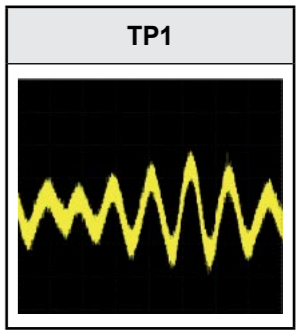
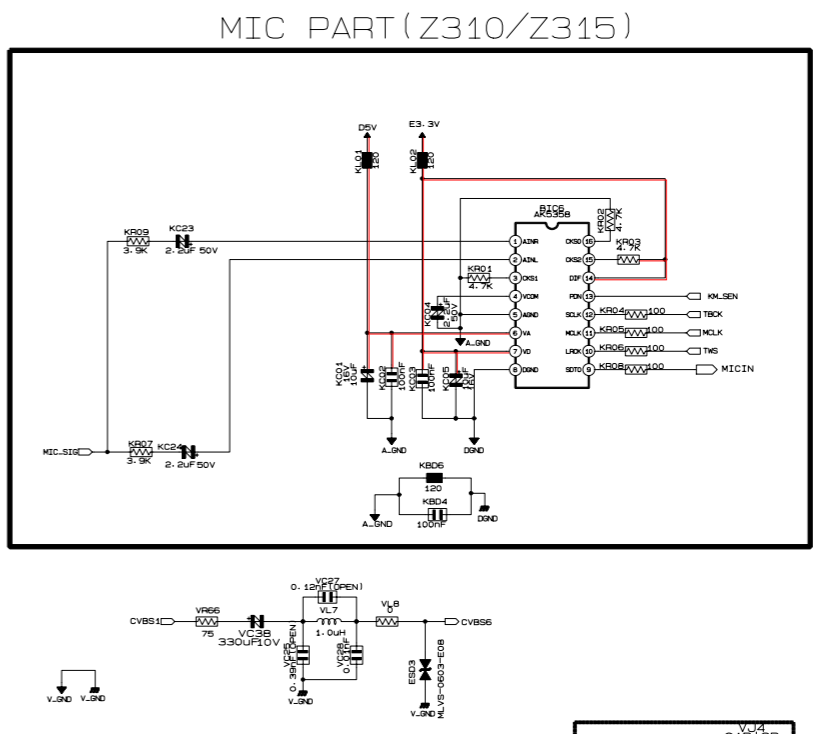
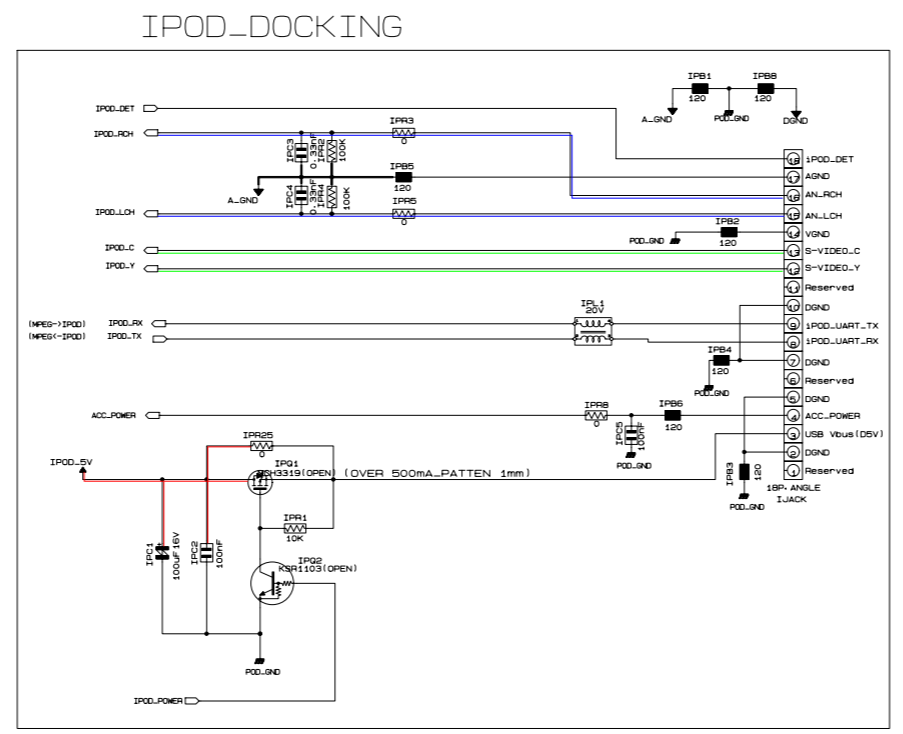
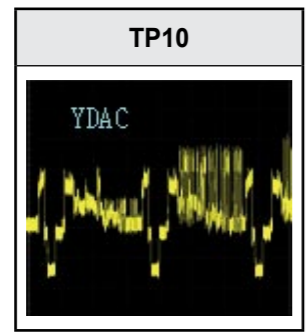
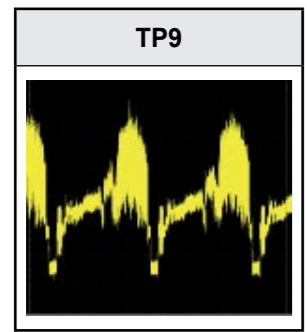
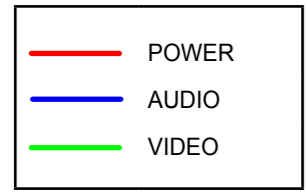
7-4 AMP



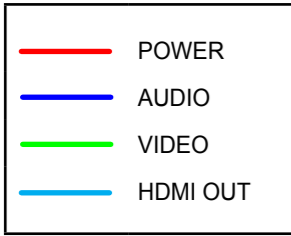
7-5 MAIN



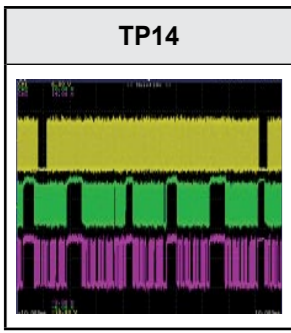
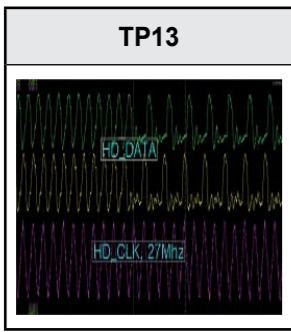
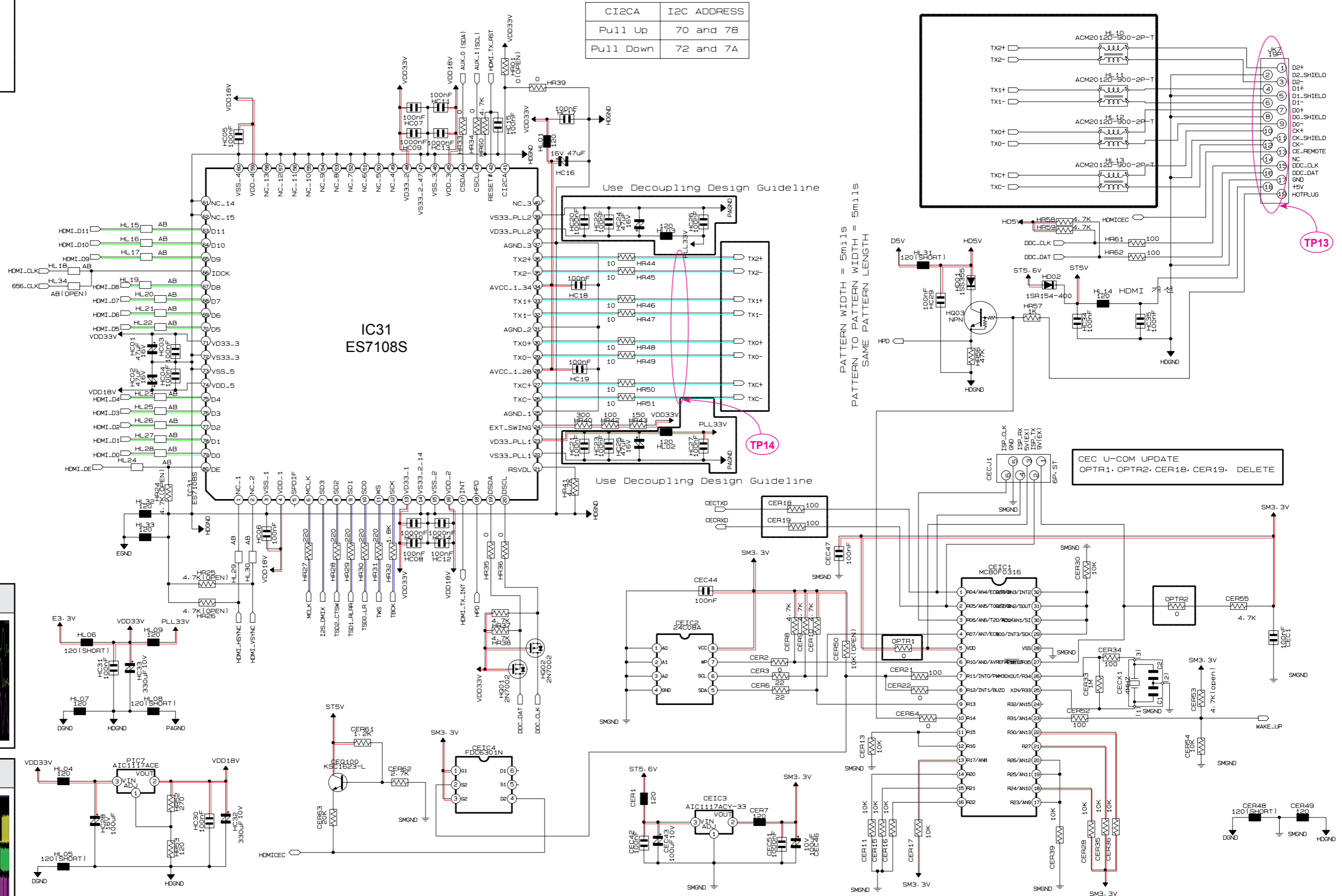
7-7 ANALOG



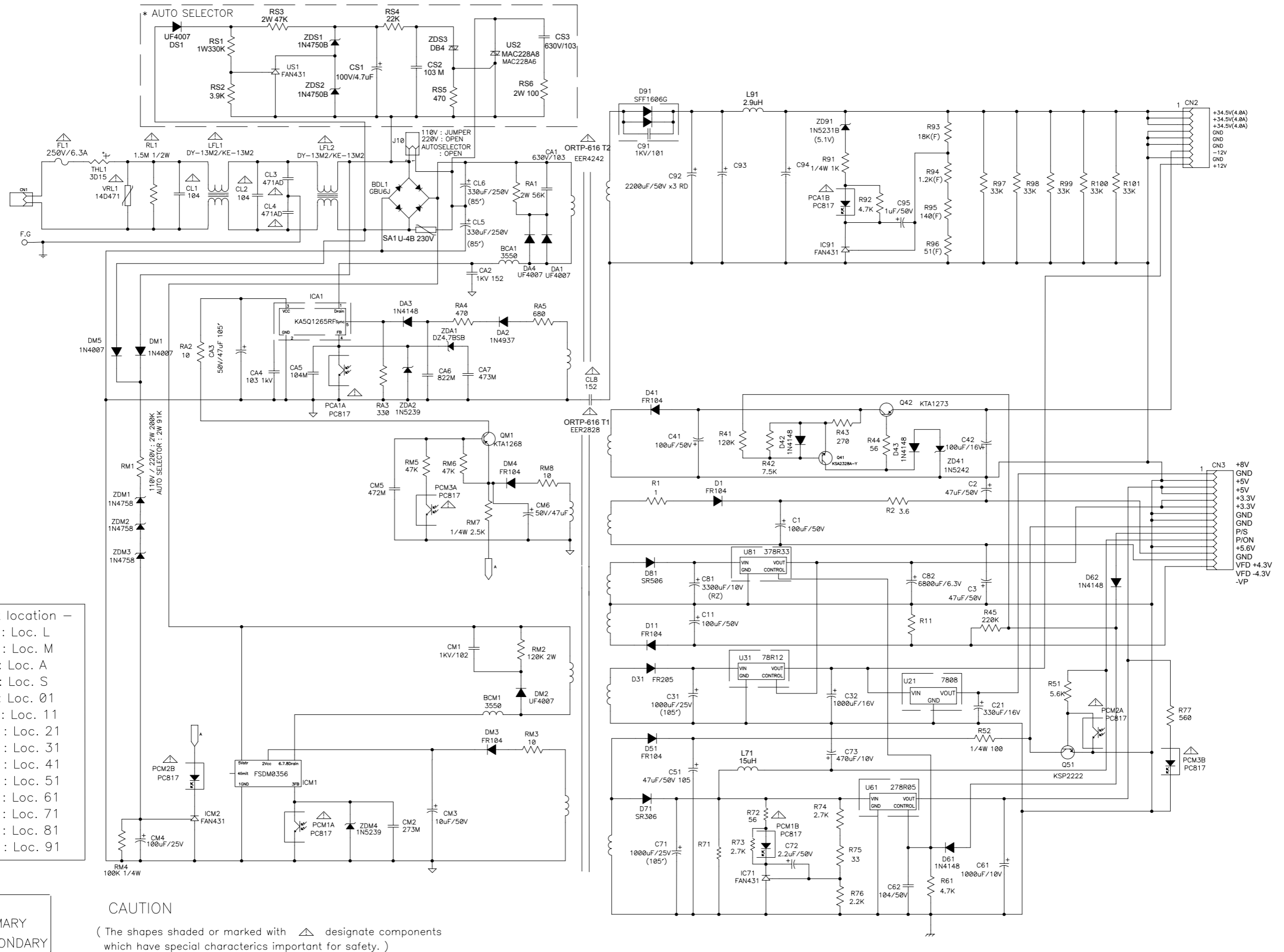
7-8 HDMI



CI2CA	I2C ADDRESS
Pull Up	70 and 78
Pull Down	72 and 7A



7-9 SMPS



- Part location -
- LINE : Loc. L
 - PDVD : Loc. M
 - PAMP : Loc. A
 - SELE. : Loc. S
 - VFD : Loc. 01
 - VP : Loc. 11
 - +08V : Loc. 21
 - +12V : Loc. 31
 - 12V : Loc. 41
 - P_S : Loc. 51
 - +5.0V : Loc. 61
 - +5.6V : Loc. 71
 - +3.3V : Loc. 81
 - +35V : Loc. 91

- ⊥ ; F.G
- ⬇ ; PRIMARY
- ⬆ ; SECONDARY

CAUTION
 (The shapes shaded or marked with designate components which have special characteristics important for safety.)