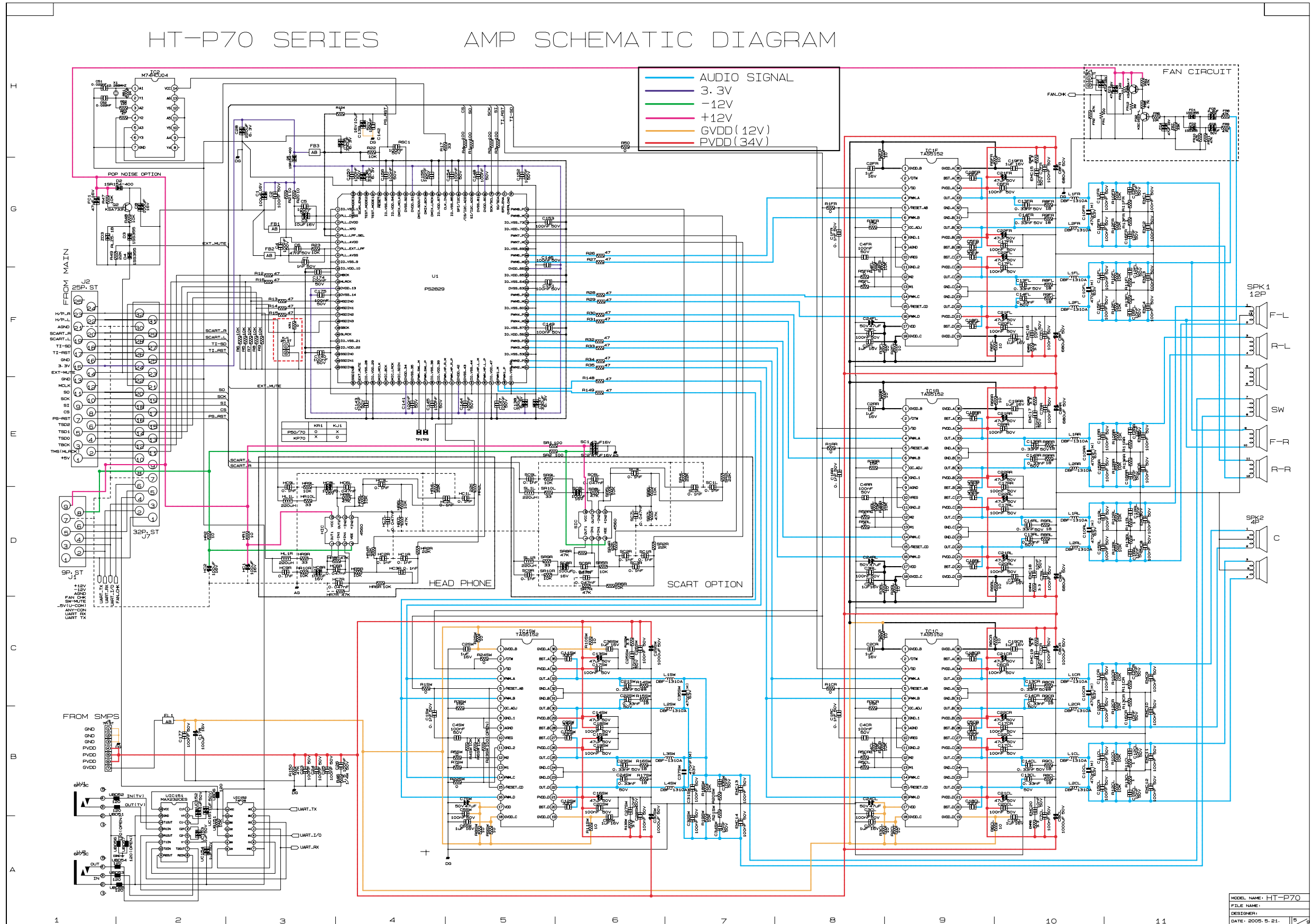
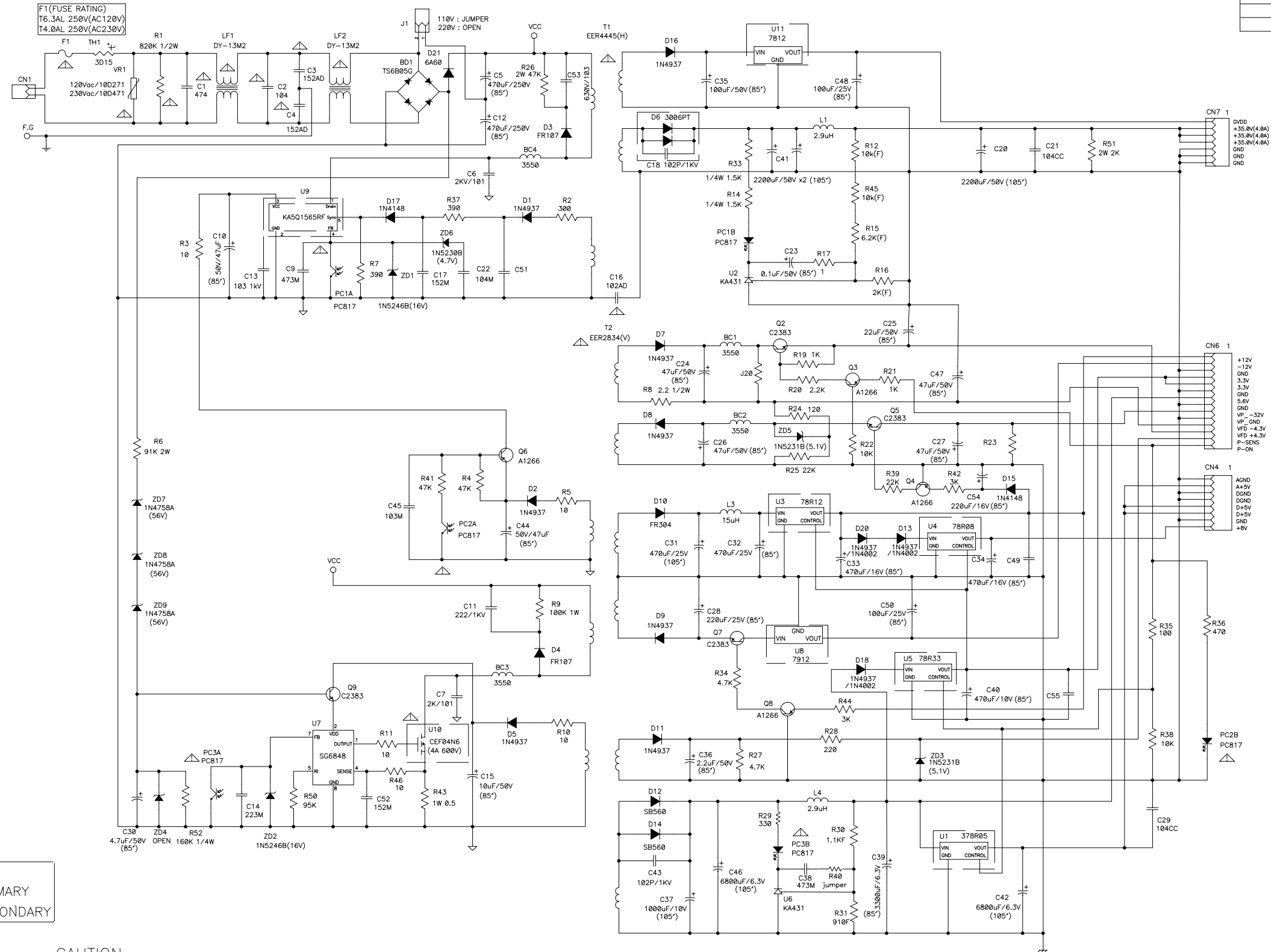


HT-P70 SERIES AMP SCHEMATIC DIAGRAM



REVISION RECORD			
LTR	ECO NO :	APPROVED :	DATE :



↓ ; F.G
 ↓ ; PRIMARY
 ↓ ; SECONDARY

CAUTION

(The shapes shaded or marked with \triangle designate components which have special characteristics important for safety.)

HT-P70 SMPS

